

26.5 cu. ft. Counter-Depth MAX™ French Door Refrigerator



- Counter-Depth MAX™
- 26.5 cu. ft. Capacity
- Single Ice Maker
- Internal Water Dispenser
- Door Cooling+
- Cool Guard Stainless Steel Back Wall
- LED Lighting
- LG ThinQ® Technology (Wi-Fi)
- ThinQ Care



COLOR AVAILABILITY	
● LRFLC2706S - PrintProof® Stainless Steel	
CAPACITY	
Refrigerator (cu. ft.)	17.8
Freezer (cu. ft.)	8.7
Total Capacity (cu. ft.)	26.5
ENERGY	
Energy Consumption (kWh / Year)	632
ENERGY STAR® Certified	Yes
WATER & ICE SYSTEM	
In-Door Dispenser	No
Internal Water Dispenser	Yes
In-Door Ice System	No
Freezer Ice Maker	Yes (1)
Freezer Ice Maker - Ice Type	Cubed
Freezer Ice Maker - Daily Ice Production	2.5 / 2.7 (IcePlus) lbs
Freezer Ice Maker - Ice Storage Capacity	4.0 lbs.
Measured Fill	No
Water Filter	LT1000P (NSF-Certified*)
COOLING	
Compressor Type	Smart Inverter Compressor
Dual Evaporators	No
Multi-Air Flow System	Yes
Door Cooling+	Yes
Temperature Sensors	9
Fresh Air Filter	Yes

CONVENIENCE	
Display Type	Smooth Touch Control / White LED
Temperature Controls	Electronic / Digital
Door Alarm	Yes
Child Lock	Yes
Auto Closing Door Hinge	Yes (Left Door Only)
ADA Compliant	Yes
Sabbath Mode	Yes (Star-K-Certified)
LoDecibel® Quiet Operation	Yes
REFRIGERATOR	
No. of Shelves	4 Split
Cantilevered Shelves	Hybrid Cantilevered
Shelf Construction	Spill Protector™ Tempered Glass
Crisper Bins	2 Crispers
Glide N' Serve® Pantry Drawer	Yes
Cool Guard	Yes
Refrigerator Light	Ceiling LED
REFRIGERATOR DOOR	
Edge-to-Edge InstaView®	No
InstaView™ Door-in-Door®	No
Door-in-Door® with ColdSaver® Panel	No
No. of Door Bins	8 Total (2 Adjustable Gallon Sized)
Door Bin Construction	1 Piece (Clear)
FREEZER	
Freezer Type	Pull Drawer
Freezer Drawers	2-Tier Organization
DuraBase® Solid Drawer Base	Yes
Drawer Divider	Yes
Ice Storage	Ice Maker & Ice Bin in Freezer
Freezer Light	LED Lighting
Freezer Handle	SmartPull® Handle

SMART FEATURES

Wi-Fi Enabled	Yes
ThinQ® Technology	Yes
ThinQ Care	Yes
Voice Control	Google Assistant, Amazon Alexa
SmartDiagnosis™	Yes
Remote Monitoring	Yes

MATERIALS AND FINISHES

Hidden Hinges	Yes
Surface	Smooth
Fingerprint & Smudge Resistant Exterior	Yes
Handles	Matching Handles

ACCESSORIES

Replacement Water Filter	LT1000P
Replacement Fresh Air Filter	LT120F

TECHNICAL SPECS

Required Power Supply	115 V, 60 Hz, 15 Amp
Plug Type	3-Prong
Power Cord Location	Back
Min. / Max. Water Pressure	20 - 120 psi

DIMENSIONS / CLEARANCES / WEIGHTS

Depth with Handles	31 5/8"
Depth without Handles	29 1/8"
Depth without Door	24 3/4"
Depth (Total with Door Open)	43 5/8"
Height to Top of Case	68 7/8"
Height to Top of Door Hinge	70 1/4"
Width	35 3/4"
Width (Door Open 90° with Handle)	44 7/8"
Width (Door Open 90° without Handle)	40"
Door Edge Clearance with Handle	4 1/2"
Door Edge Clearance without Handle	2 1/4"
Installation Clearance	Sides 1/8", Top 1", Back 2"
Approx. Weight (Product / Carton)	322 lbs. / 352 lbs.
Carton Dimensions (WxHxD)	38" x 73" x 32"

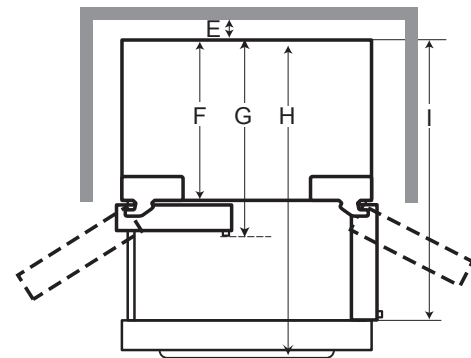
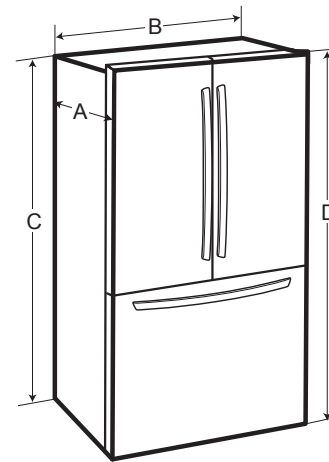
LIMITED WARRANTY

Parts & Labor	1 Year
Sealed System (Parts & Labor)	5 Years
Compressor (Parts & Labor)	5 Years
Smart Inverter Compressor (Parts Only)	6 - 10 Years



*System tested and certified by NSF® International against NSF / ANSI Standard 42, Standard 53 and Standard 401.

DIMENSIONS / CLEARANCES



DIMENSIONS / CLEARANCES

A	Depth without Handle	29 1/8" (739 mm)
B	Width	35 3/4" (908 mm)
C	Height to Top of Case	68 7/8" (1750 mm)
D	Height to Top of Hinge	70 1/4" (1785 mm)
E	Back Clearance	2" (50 mm)
F	Depth without Door	24 3/4" (628 mm)
G	Depth with Handle	31 5/8" (802 mm)
H	Depth (Total with Freezer Drawer Open)	48 7/8" (1239 mm)
I	Depth (Total with Door Open 90°)	43 5/8" (1106 mm)

INSTALLATION NOTES

- The installation location chosen for the refrigerator should allow space behind the unit for connections and airflow and space in front to open the doors and drawers.
- Too small of a distance from adjacent items may result in lowered freezing capability and increased electricity consumption charges. Allow at least 24 inches (610 mm) in front of the refrigerator to open the doors, and at least 2 inches (50.8 mm) between the back of the refrigerator and the wall.